



Installation

Model specific instructions

For:

- BMW F650GS
- BMW F650GS Dakar
- BMW F650CS Scarver
- BMW G650GS
- BMW G650GS Sertao
- BMW G650 Xchallenge
- BMW G650 Xmoto
- BMW G650 XCountry

These instructions are a model specific add-on to the general BoosterPlug installation instructions.

The general BoosterPlug installation instructions can be found in the "Downloads" section on the BoosterPlug.com website:

<http://www.boosterplug.com/shop/cms-downloads.html>

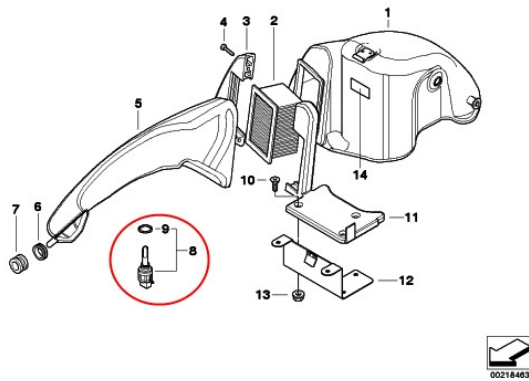
Installation Tips

- Remove the gas tank
 - NOTE: on the G650X models, it's sufficient to remove the left hand tank cover.
 - NOTE: on the F650CS Scarver, it's sufficient to remove the plastic shields where the gas tank is located on other bikes.
- Locate the AIT sensor in the air filter box
- The pictures below should help you locate the sensor
- Install the BoosterPlug module as per the general installation papers
- You have several choices for the sensor location, but our favorite place is near the steering head or under the head light. Next to the airbox snorkel air intake hole is another very good spot.

Pictures

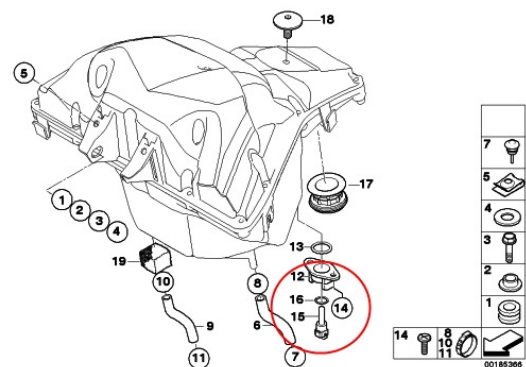
For:

- BMW F650GS
- BMW F650GS Dakar
- BMW G650GS
- BMW G650GS Sertao



For:

- BMW G650 Xchallenge
- BMW G650 Xmoto
- BMW G650 XCountry



For:

- BMW F650CS Scarver

